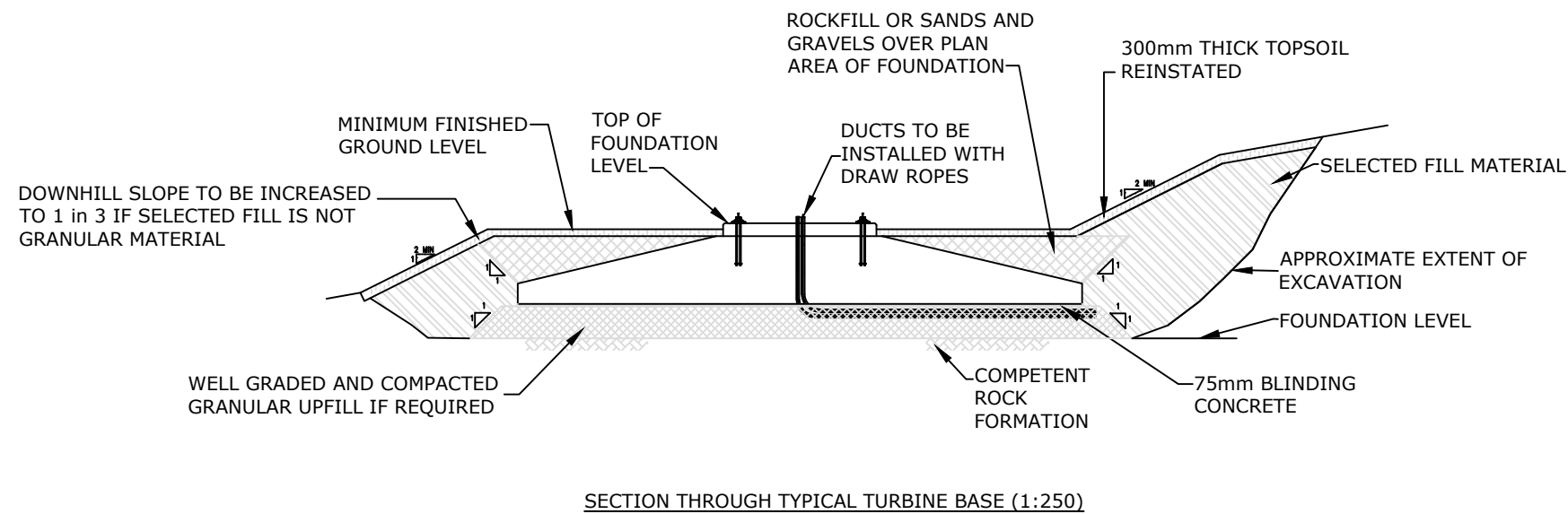


PLAN ON TYPICAL TURBINE FOUNDATION (1:250)



SECTION THROUGH TYPICAL TURBINE BASE (1:250)



Legend:

Title: Figure 4.4 Typical Foundation Design	
Shepherds' Rig Wind Farm	
Source: © Crown copyright and database rights 2018 Ordnance Survey 0100031673	
Client: Infinergy	
Drawn by: DB	Checked: RF
Date: 03/10/18	
Scale: 1:250	Revision: 1